

## Up to PL e of EN ISO 13849-1 PNOZ s6



Two-hand control unit for press controllers and safety circuits

### Approvals

PNOZ s6	
	◆
	◆
	◆

### Unit features

- ▶ Positive-guided relay outputs:
  - 3 safety contacts (N/O), instantaneous
  - 1 auxiliary contact (N/C), instantaneous
- ▶ 1 semiconductor output
- ▶ Connection options for:
  - 2 operator elements (buttons)
- ▶ A connector can be used to connect 1 PNOZsigma contact expansion module
- ▶ LED indicator for:
  - Supply voltage
  - Input status, channel 1
  - Input status, channel 2
  - Switch status, safety contacts
  - Feedback circuit
  - Error
- ▶ Plug-in connection terminals (either spring-loaded terminal or screw terminal)

### Unit description

The two-hand control relay meets the requirements of EN 574 Type IIIC. It forces the operator to keep his hands outside the danger zone area during the hazardous movement. The unit is

suitable for use on controllers for metalworking presses as a component for simultaneous switching.

It can be used in applications with

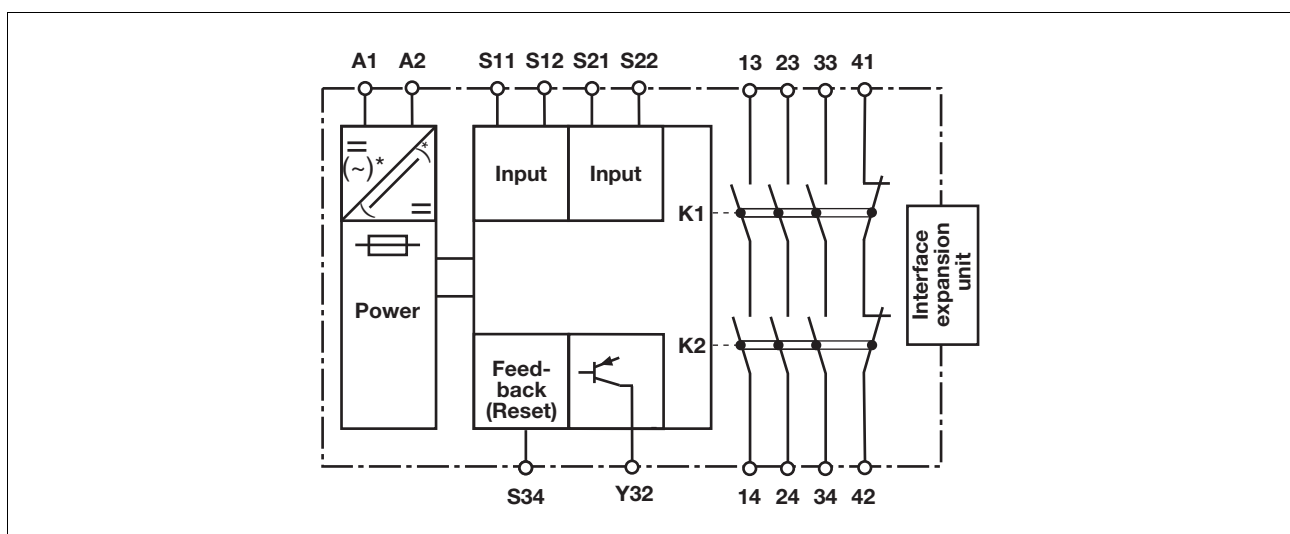
- ▶ Mechanical presses (EN 692)
- ▶ Hydraulic presses (EN 693)
- ▶ Safety circuits in accordance with EN 60204-1

### Safety features

The two-hand control relay meets the following safety requirements:

- ▶ The circuit is redundant with built-in self-monitoring
- ▶ The safety function remains effective in the case of a component failure
- ▶ The circuit prevents a further press stroke in the case of:
  - Relay failure
  - Contact welding
  - Coil defect on a relay
  - Open circuit
  - Short circuit
- ▶ The unit has an electronic fuse.

### Block diagram



\* only when  $U_B = 48 - 240 \text{ VAC/DC}$

## Up to PL e of EN ISO 13849-1 PNOZ s6

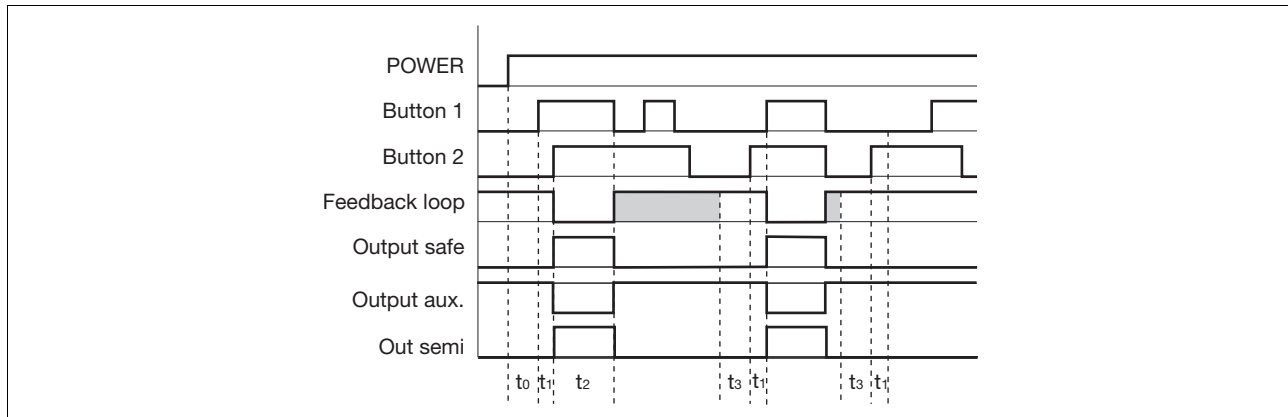
### Function description

- ▶ The two-hand control relay must be activated by simultaneously press-

ing two buttons within **0.5 s**. If one or both of the buttons are released, the unit interrupts the control command for the hazardous movement.

- ▶ Reactivation: The output relays will not re-energise until both operator elements have been released and then re-operated simultaneously.

### Timing diagram



### Key

- ▶ POWER: Supply voltage
  - ▶ Button 1/Button 2: Input circuits S11-S12, S21- S22
  - ▶ Feedback loop: Feedback loop S34
  - ▶ Output safe: Safety outputs 13-14, 23-24, 33-34
  - ▶ Output aux.: Auxiliary contacts 41-42
  - ▶ Out semi: Semiconductor output switch status Y32
  - ▶  $t_0$ : Recovery time after power on
  - ▶  $t_1$ : Simultaneity, channel 1 and 2
  - ▶  $t_2$ : Operating cycle ended through button 1 or 2
  - ▶  $t_3$ : S34-S12 must be closed before the button is operated (recovery time)
- Shaded area: Status irrelevant

### Wiring

Please note:

- ▶ Information given in the “Technical details” must be followed.
- ▶ Outputs 13-14, 23-24, 33-34 are safety contacts, output 41-42 is an auxiliary contact (e.g. for display).
- ▶ To prevent contact welding, a fuse should be connected before the output contacts (see technical details).
- ▶ Calculation of the max. cable runs  $I_{max}$  in the input circuit:

$$I_{max} = \frac{R_{lmax}}{R_l / km}$$

$R_{lmax}$  = max. overall cable resistance (see technical details)

$R_l / km$  = cable resistance/km

- ▶ Use copper wire that can withstand 60/75 °C.
- ▶ Sufficient fuse protection must be provided on all output contacts with capacitive and inductive loads.

## Up to PL e of EN ISO 13849-1 PNOZ s6

### Preparing for operation

#### ▶ Supply voltage

Supply voltage	AC	DC

#### ▶ Input circuit

Input circuit	Single-channel	Dual-channel
Two-hand button <b>with</b> detection of shorts across contacts		

#### ▶ Feedback loop

Contacts from external contactors	Feedback loop

#### ▶ Semiconductor output

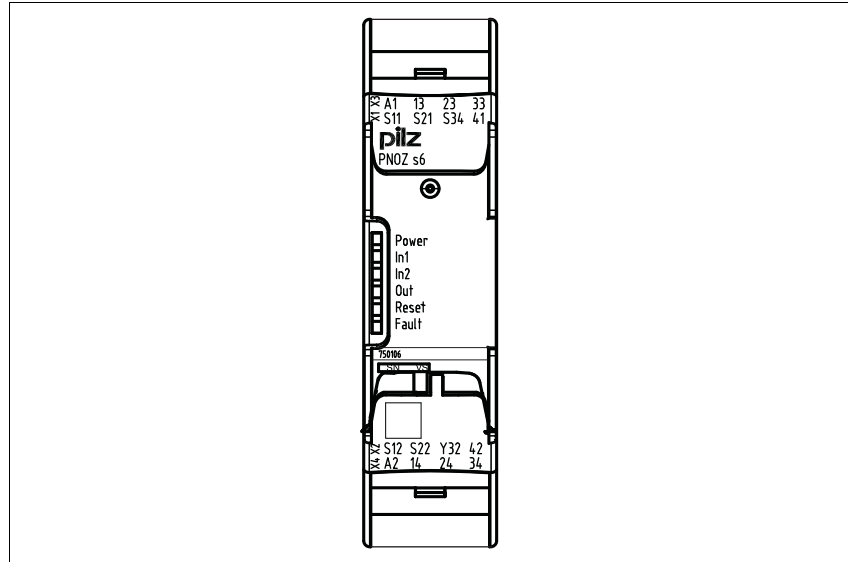
--

#### ▶ Key

S1/S2 Two-hand button
-----------------------

## Up to PL e of EN ISO 13849-1 PNOZ s6

### Terminal configuration



### Installation

#### Install base unit without contact expander module:

- ▶ Ensure that the plug terminator is inserted at the side of the unit.

#### Connect base unit and PNOZsigma contact expander module:

- ▶ Remove the plug terminator at the side of the base unit and at the contact expander module.
- ▶ Connect the base unit and the contact expander module to the supplied connector before mounting the units to the DIN rail.

#### Installation in control cabinet

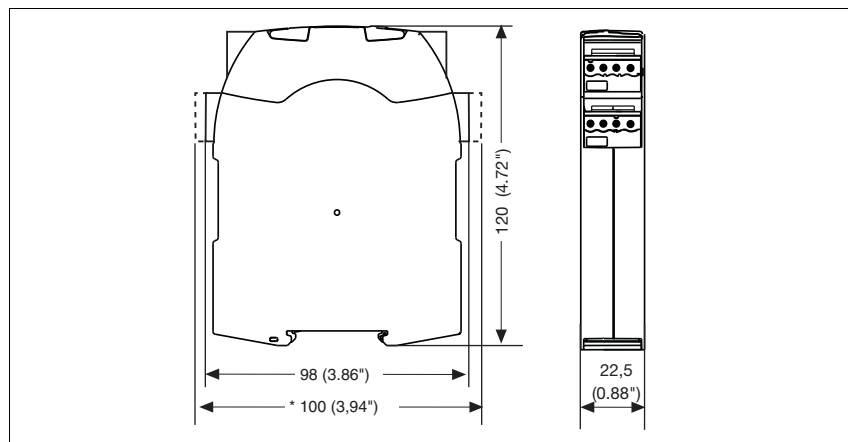
- ▶ The safety relay should be installed in a control cabinet with a protection type of at least IP54.
- ▶ Use the notch on the rear of the unit to attach it to a DIN rail (35 mm).
- ▶ When installed vertically: Secure the unit by using a fixing element (e.g. retaining bracket or end angle).
- ▶ Push the unit upwards or downwards before lifting it from the DIN rail.

### CAUTION!

The distance of the button connected to the two-hand relay from the nearest danger zone must be large enough that if one of the buttons is released, the dangerous movement is interrupted before the operator can reach into the danger zone (see EN 999 "The positioning of protective equipment in respect of approach speeds of parts of the human body").

### Dimensions

\*with spring-loaded terminals



## Up to PL e of EN ISO 13849-1 PNOZ s6

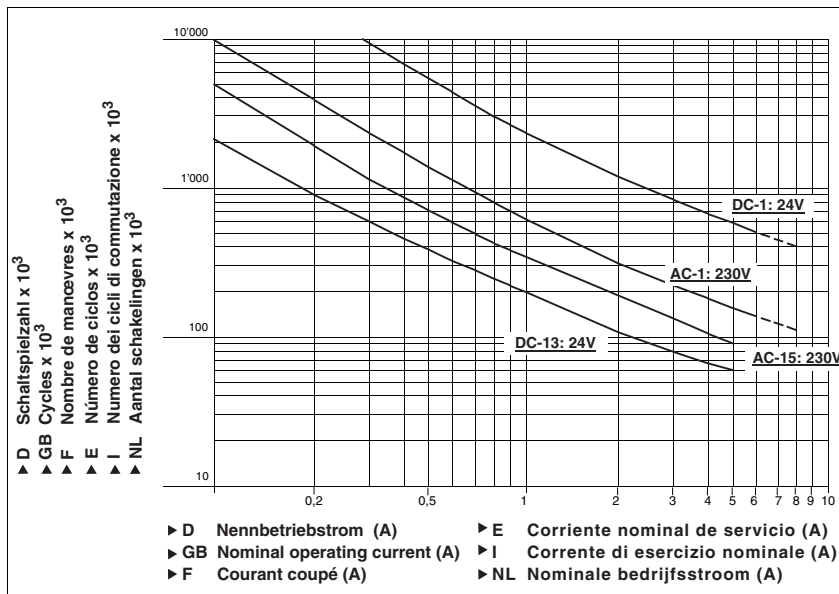
### NOTICE

This data sheet is only intended for use during configuration. For installation and operation, please refer to the operating instructions supplied with the unit.

### Service life graph

The service life graphs indicate the number of cycles from which failures due to wear must be expected. The wear is mainly caused by the electrical load; the mechanical load is negligible.

$U_B$  24 V DC



### Example

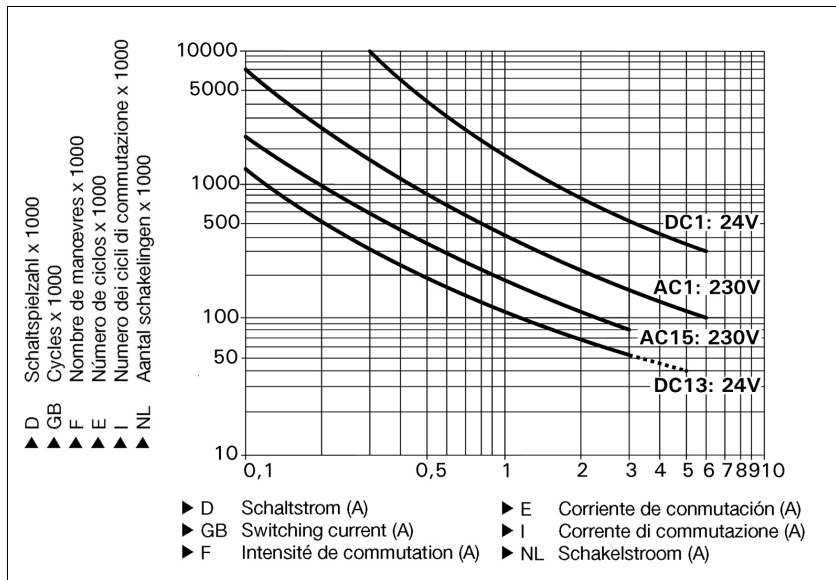
- ▶ Inductive load: 0,2 A
- ▶ Utilisation category: AC15
- ▶ Contact service life: 2,000,000 cycles

Provided the application requires fewer than 2,000,000 cycles, the PFH value (see technical details) can be used in the calculation.

To increase the service life, sufficient spark suppression must be provided on all output contacts. With capacitive loads, any power surges that occur must be noted. With contactors, use freewheel diodes for spark suppression.

## Up to PL e of EN ISO 13849-1 PNOZ s6

U<sub>B</sub> 48-240 V AC/DC



### Example

- ▶ Inductive load: 0,2 A
- ▶ Utilisation category: AC15
- ▶ Contact service life: 1,000,000 cycles

Provided the application requires fewer than 1,000,000 cycles, the PFH value (see technical details) can be used in the calculation.

To increase the service life, sufficient spark suppression must be provided on all output contacts. With capacitive loads, any power surges that occur must be noted. With contactors, use freewheel diodes for spark suppression.

### Technical details

#### Electrical data

Supply voltage	
Supply voltage U <sub>B</sub> DC	<b>24 V</b>
Supply voltage U <sub>B</sub> AC/DC	<b>48 - 240 V</b>
Voltage tolerance	<b>-15 %/+10 %</b>
Power consumption at U <sub>B</sub> AC	<b>7.0 VA</b> No. 750136, 751136
Power consumption at U <sub>B</sub> DC	<b>3.5 W</b>
Frequency range AC	<b>50 - 60 Hz</b>
Residual ripple DC	<b>20 %</b>
Voltage and current at	
Input circuit DC: <b>24.0 V</b>	
N/O contact	<b>20 mA</b>
N/C contact	<b>10 mA</b>
Feedback loop DC: <b>24.0 V</b>	<b>15.0 mA</b>
Number of output contacts	
Safety contacts (S) instantaneous:	<b>3</b>
Auxiliary contacts (N/C):	<b>1</b>
Type in accordance with <b>EN 574</b>	<b>III C</b>

## Up to PL e of EN ISO 13849-1 PNOZ s6

<b>Electrical data</b>	
Utilisation category in accordance with <b>EN 60947-4-1</b>	
Safety contacts: AC1 at <b>240 V</b>	$I_{\min}$ : <b>0.01 A</b> , $I_{\max}$ : <b>6.0 A</b> $P_{\max}$ : <b>1500 VA</b>
Safety contacts: DC1 at <b>24 V</b>	$I_{\min}$ : <b>0.01 A</b> , $I_{\max}$ : <b>6.0 A</b> $P_{\max}$ : <b>150 W</b>
Auxiliary contacts: AC1 at <b>240 V</b>	$I_{\min}$ : <b>0.01 A</b> , $I_{\max}$ : <b>6.0 A</b> $P_{\max}$ : <b>1500 VA</b>
Auxiliary contacts: DC1 at <b>24 V</b>	$I_{\min}$ : <b>0.01 A</b> , $I_{\max}$ : <b>6.0 A</b> $P_{\max}$ : <b>150 W</b>
Utilisation category in accordance with <b>EN 60947-5-1</b>	
Safety contacts: AC15 at <b>230 V</b>	$I_{\max}$ : <b>3.0 A</b> No. 750136, 751136 <b>5.0 A</b> No. 750106, 751106
Safety contacts: DC13 at <b>24 V</b> (6 cycles/min)	$I_{\max}$ : <b>4.0 A</b> No. 750136, 751136 <b>5.0 A</b> No. 750106, 751106
Auxiliary contacts: AC15 at <b>230 V</b>	$I_{\max}$ : <b>3.0 A</b> No. 750136, 751136 <b>5.0 A</b> No. 750106, 751106
Auxiliary contacts: DC13 at <b>24 V</b> (6 cycles/min)	$I_{\max}$ : <b>4.0 A</b> No. 750136, 751136 <b>5.0 A</b> No. 750106, 751106
Contact material	<b>AgCuNi + 0.2 µm Au</b>
External contact fuse protection ( $I_k = 1$ kA) to <b>EN 60947-5-1</b>	
Blow-out fuse, quick	
Safety contacts:	<b>10 A</b> No. 750106, 751106 <b>6 A</b> No. 750136, 751136
Auxiliary contacts:	<b>10 A</b> No. 750106, 751106 <b>6 A</b> No. 750136, 751136
Blow-out fuse, slow	
Safety contacts:	<b>4 A</b> No. 750136, 751136 <b>6 A</b> No. 750106, 751106
Auxiliary contacts:	<b>4 A</b> No. 750136, 751136 <b>6 A</b> No. 750106, 751106
Circuit breaker 24 VAC/DC, characteristic B/C	
Safety contacts:	<b>4 A</b> No. 750136, 751136 <b>6 A</b> No. 750106, 751106
Auxiliary contacts:	<b>4 A</b> No. 750136, 751136 <b>6 A</b> No. 750106, 751106
Semiconductor outputs (short circuit proof)	<b>24.0 V DC, 20 mA</b>
Max. overall cable resistance $R_{l\max}$ per input circuit	<b>30 Ohm</b>
<b>Safety-related characteristic data</b>	
PL in accordance with <b>EN ISO 13849-1: 2006</b>	<b>PL e (Cat. 4)</b>
Category in accordance with <b>EN 954-1</b>	<b>Cat. 4</b>
SIL CL in accordance with <b>EN IEC 62061</b>	<b>SIL CL 3</b>
PFH in accordance with <b>EN IEC 62061</b>	<b>2.62E-09</b>
SIL in accordance with <b>IEC 61511</b>	<b>SIL 3</b>
PFD in accordance with <b>IEC 61511</b>	<b>3.32E-05</b>
$T_M$ [year] in accordance with <b>EN ISO 13849-1: 2006</b>	<b>20</b>
<b>Times</b>	
Delay-on de-energisation (reaction time in accordance with EN 574)	
N/O contact	<b>30 ms</b>
N/C contact	<b>40 ms</b>
Recovery time	<b>250 ms</b>
Simultaneity, channel 1 and 2	<b>0.5 s</b>
Supply interruption before de-energisation	<b>20 ms</b>
<b>Environmental data</b>	
EMC	<b>EN 60947-5-1, EN 61000-6-2, EN 61000-6-4</b>
Vibration to <b>EN 60068-2-6</b>	
Frequency	<b>10 - 55 Hz</b>
Amplitude	<b>0.35 mm</b>

## Up to PL e of EN ISO 13849-1 PNOZ s6

Environmental data	
Climatic suitability	EN 60068-2-78
Airgap creepage in accordance with EN 60947-1	
Pollution degree	2
Overvoltage category	III
Rated insulation voltage	250 V
Rated impulse withstand voltage	4.00 kV
Ambient temperature	-10 - 55 °C
Storage temperature	-40 - 85 °C
Protection type	
Mounting (e.g. cabinet)	IP54
Housing	IP40
Terminals	IP20
Mechanical data	
Housing material	
Housing	PC
Front	PC
Cross section of external conductors with screw terminals	
1 core flexible	0.25 - 2.50 mm <sup>2</sup> , 24 - 12 AWG No. 750106, 750136
2 core, same cross section, flexible:	
with crimp connectors, without insulating sleeve	0.25 - 1.00 mm <sup>2</sup> , 24 - 16 AWG No. 750106, 750136
without crimp connectors or with TWIN crimp connectors	0.20 - 1.50 mm <sup>2</sup> , 24 - 16 AWG No. 750106, 750136
Torque setting with screw terminals	0.50 Nm No. 750106, 750136
Cross section of external conductors with spring-loaded terminals: Flexible with/without crimp connectors	0.20 - 2.50 mm <sup>2</sup> , 24 - 12 AWG No. 751106, 751136
Spring-loaded terminals: Terminal points per connection	2 No. 751106, 751136
Stripping length	9 mm No. 751106, 751136
Dimensions	
Height	100.0 mm No. 751106, 751136 98.0 mm No. 750106, 750136
Width	22.5 mm
Depth	120.0 mm
Weight	187 g No. 750106 190 g No. 751106 210 g No. 750136, 751136

No. stands for order number.

It is essential to consider the relay's service life graphs. The relay outputs' safety-related characteristic data is only valid if the values in the service life graphs are met.

The PFH value depends on the switching frequency and the load on the relay output.  
If the service life graphs are not accessible, the stated PFH value can be

used irrespective of the switching frequency and the load, as the PFH value already considers the relay's B10d value as well as the failure rates of the other components.

All the units used within a safety function must be considered when calculating the safety characteristic data.

The standards current on **2011-06** apply.



## Up to PL e of EN ISO 13849-1 PNOZ s6

### Conventional thermal current while loading several contacts

Number of contacts	$I_{th}$ at $U_B$ DC	$I_{th}$ at $U_B$ AC
1	<b>6.00 A</b>	<b>6.00 A</b> No. 750136, 751136
2	<b>6.00 A</b>	<b>6.00 A</b> No. 750136, 751136
3	<b>4.50 A</b> No. 750136, 751136 <b>6.00 A</b> No. 750106, 751106	<b>4.50 A</b> No. 750136, 751136

### Order reference

Type	Features	Terminals	Order no.
PNOZ s6	24 VDC	With screw terminals	750 106
PNOZ s6 C	24 VDC	With spring-loaded terminals	751 106
PNOZ s6	48 – 240 VAC/DC	With screw terminals	750 136
PNOZ s6 C	48 – 240 VAC/DC	With spring-loaded terminals	751 136